

Fast changeover **Efficient production**



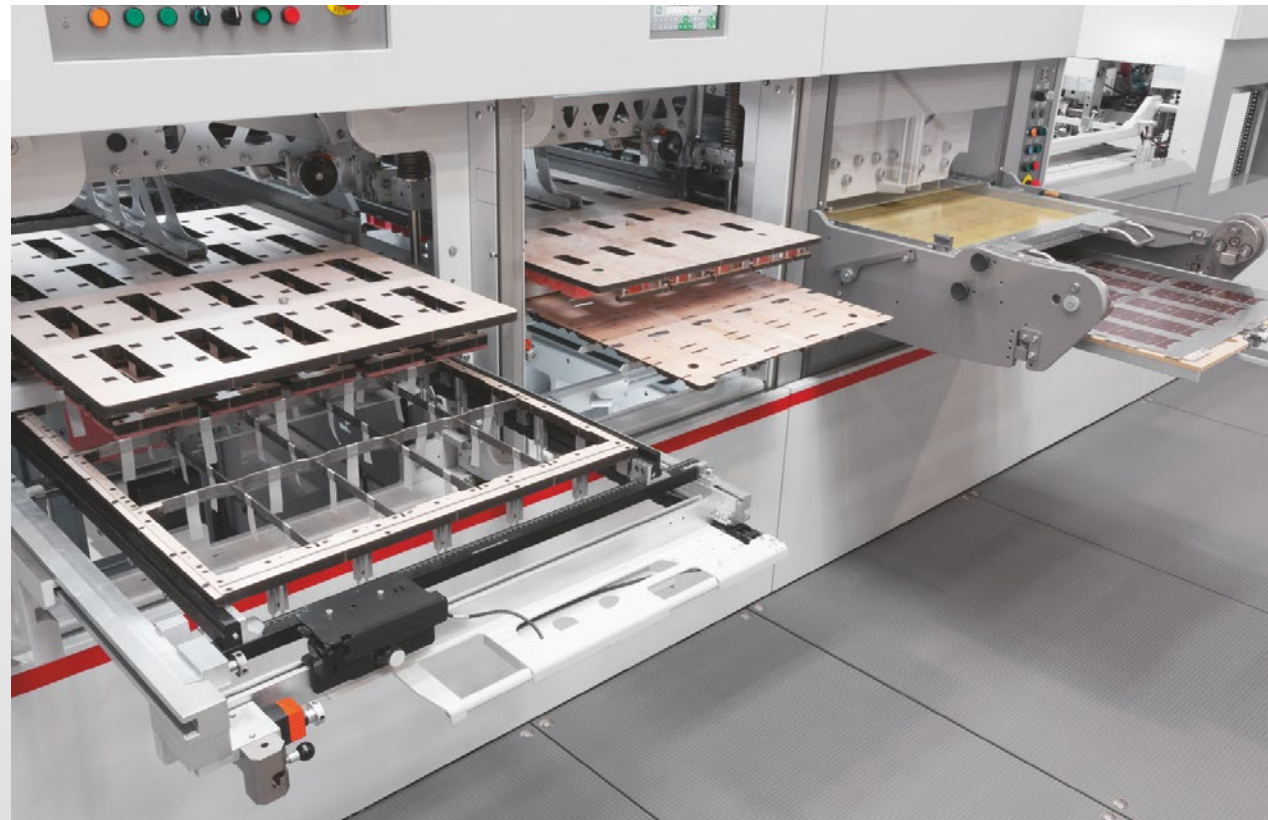
TOOLING

QUICK LOCK SYSTEMS

Optimizing Output

In the fast changing and competitive packaging industry, converters need innovative ways to meet ever-increasing expectations of quality, flexibility, and delivery.

New technology is also bringing opportunities to improve productivity and deliver more for customers. BOBST Quick Lock is a state-of-the-art tooling system that sets new standards of speed and accuracy – unlocking dramatic efficiency gains and cost savings across cutting, stripping and blanking operations.



Increased
productivity



Consistent
BOBST quality



Cost-effective
tooling equipment

QUICK LOCK SYSTEMS

- > Why tooling matters
- > Overview
- > Stripping Station
 - > Speed Lock
- > Blanking Station
 - > Blank Lock
 - > Sheet Blanker
 - > Blank Fix
- > Your BOBST machine
- > BOBST Die-Maker Certification Program
- > Summary

 Print responsibly

Data is not binding.
Non-contractual pictures.
The manufacturer reserves
the right to make
modifications without notice.
© BOBST SA 2020
BUSV-QLS-EN-0820

Unlock Productivity

Secure your position with Quick Lock

Take on the challenges of increased production with Quick Lock, an innovative no-screw system that ensures rapid and precise positioning of all tooling in cutting chase, stripping and blanking frames.

Cut packaging and time

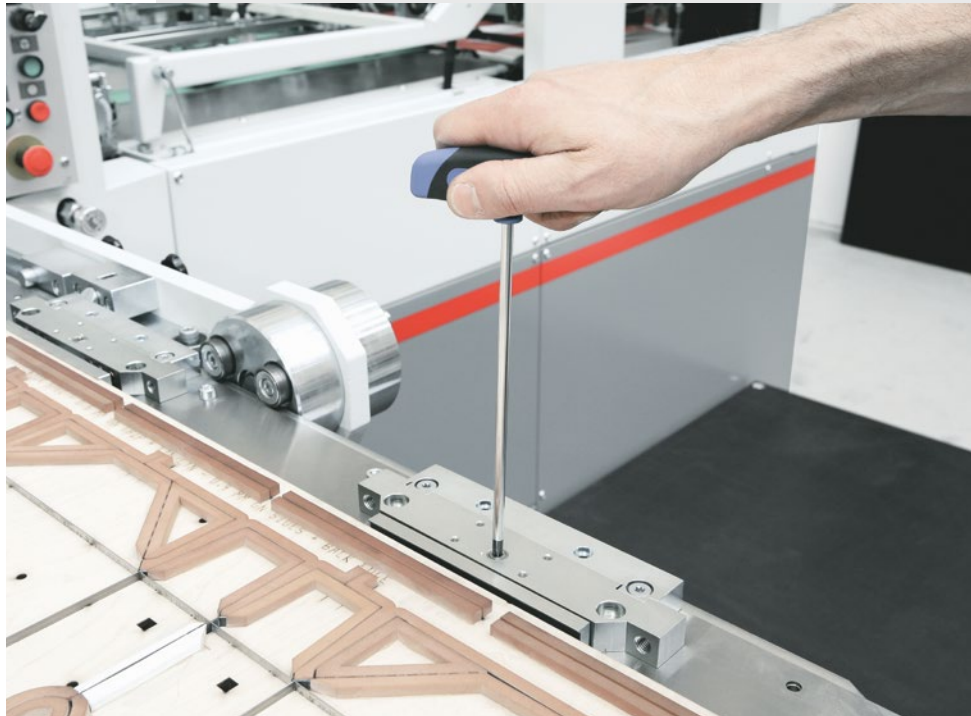
Save time in the preparation and changeover of dies with a safe and convenient solution that fits all tooling into one frame without using screws.

Outstanding accuracy

Superior frame stability eliminates play on the equipment thanks to constant spring pressure, and ensures all tooling is positioned to a tolerance of 0.1mm.

Explore the range

The BOBST Quick Lock system covers every converting task. Explore the range, and discover the faster and more efficient solution for cutting, stripping and blanking.



QUICK LOCK SYSTEMS

- > Why tooling matters
- > Overview
- > Stripping Station
 - > Speed Lock
- > Blanking Station
 - > Blank Lock
 - > Sheet Blanker
 - > Blank Fix
- > Your BOBST machine
- > BOBST Die-Maker Certification Program
- > Summary

 Print responsibly

Data is not binding.
Non-contractual pictures.
The manufacturer reserves
the right to make
modifications without notice.
© BOBST SA 2020
BUSV-QLS-EN-0820

Speed Lock

Trim production time

Combine speed and accuracy at the stripping station with Speed Lock.

Finely load stripping sandwiches as quickly as possible without the need to align or secure with screws. Benefit from reduced set-up times, as stripping frames and blanking tools are no longer required, while maintaining accurate positioning and squaring.

Simple assembly

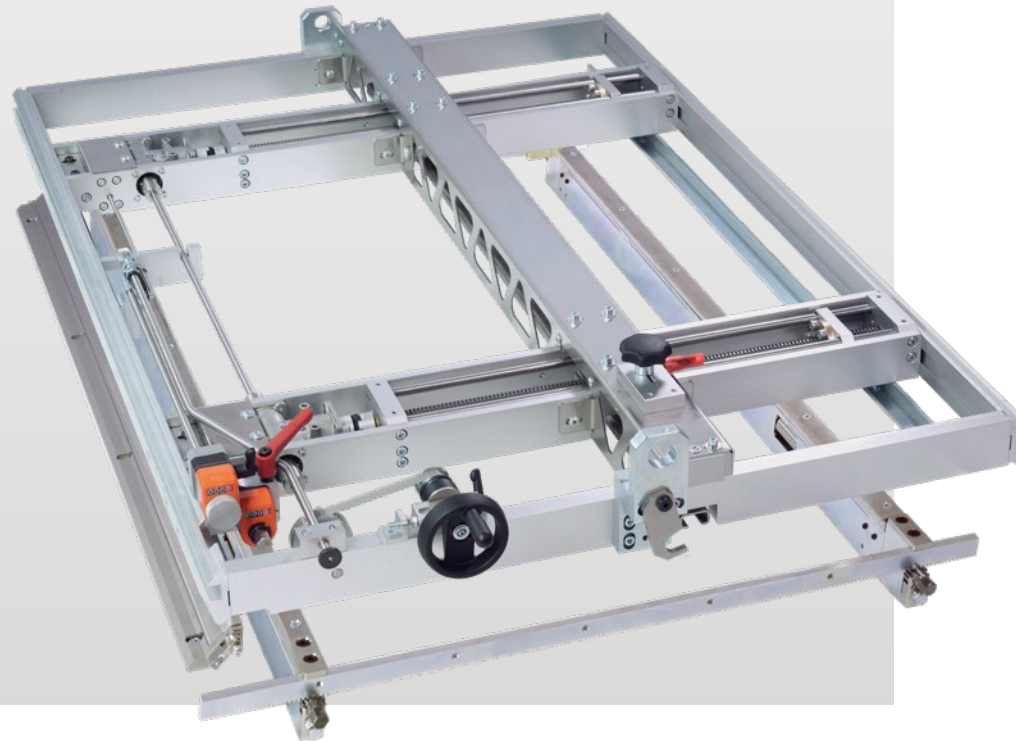
- Comprises a complete top cassette and bottom locking device
- New fine adjustment allows sideways movement with the male and female stripping board
- Single-person setup

Speed up production

- Reduced set-up times
- Easy to register adjustments and operate

Standardized system

- Compatible with the latest die cutters
- May be optionally modified for use with existing frames



QUICK LOCK SYSTEMS

- > Why tooling matters
- > Overview
- > Stripping Station
 - > Speed Lock
- > Blanking Station
 - > Blank Lock
 - > Sheet Blanker
 - > Blank Fix
- > Your BOBST machine
- > BOBST Die-Maker Certification Program
- > Summary

 Print responsibly

Data is not binding.
Non-contractual pictures.
The manufacturer reserves the right to make modifications without notice.
© BOBST SA 2020
BUSV-QLS-EN-0820

Blank Lock

At the blanking station, adjust and use blanking forms quickly and securely.

A Quick Lock system for upper blanking forms with variable board sizes, cutting out the need for time-consuming aligning and screwing of the male upper blanking form.

Simple set-up

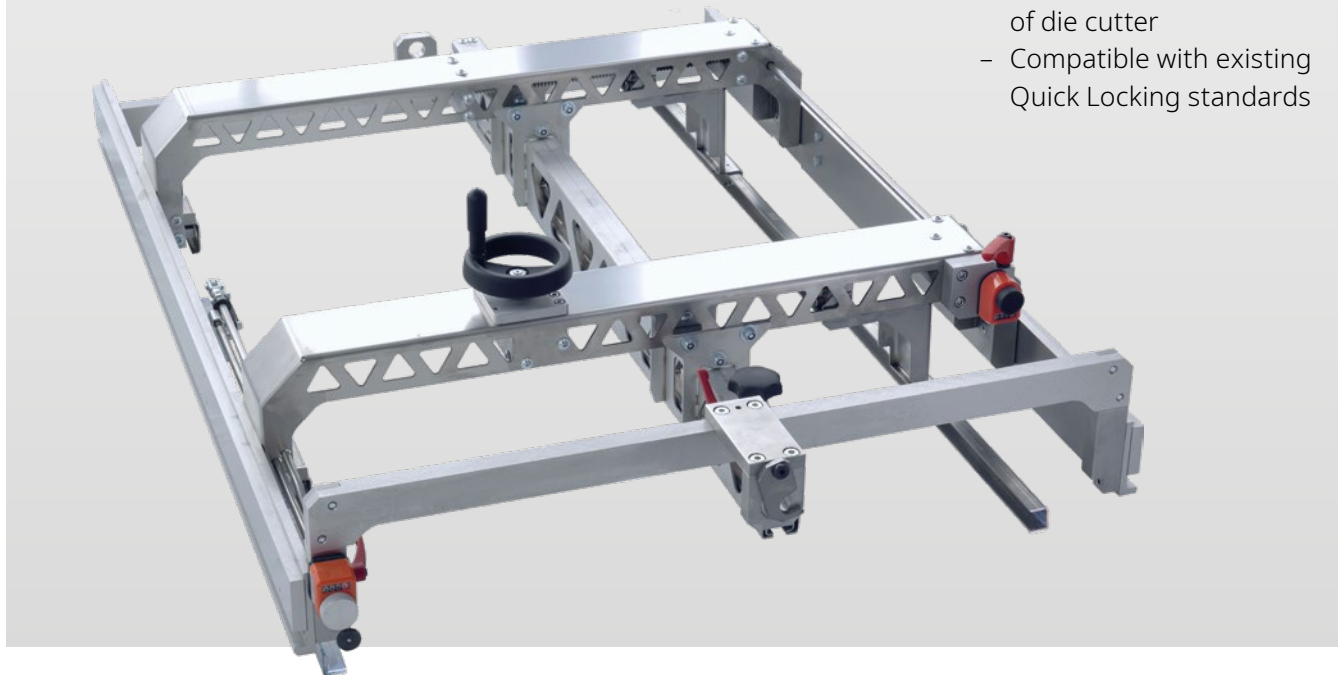
- Single-person set-up and operation
- Position forms quickly without aligning or screwing
- Reduced set-up time

Adjust instantly

- Equipped with fine adjustment technology for easy positioning
- Keeps board areas under consistent pressure
- Rigid and no-wear parts allow for regular adjustment
- Allows for optimum tool alignment

Standardized system

- Suitable for all board sizes
- Available for most models of die cutter
- Compatible with existing Quick Locking standards



QUICK LOCK SYSTEMS

- > Why tooling matters
- > Overview
- > Stripping Station
 - > Speed Lock
- > Blanking Station
 - > Blank Lock
 - > Sheet Blanker
 - > Blank Fix
- > Your BOBST machine
- > BOBST Die-Maker Certification Program
- > Summary

 Print responsibly

Data is not binding.
Non-contractual pictures.
The manufacturer reserves the right to make modifications without notice.
© BOBST SA 2020
BUSV-QLS-EN-0820

Sheet Blanker

The evolution from single blanking to efficient sheet blanking.

Adaptable to you

- Use with Flex Rack or manual non-stop swords
- Optional gripper module available
- Available with lower-front waste separator attachment

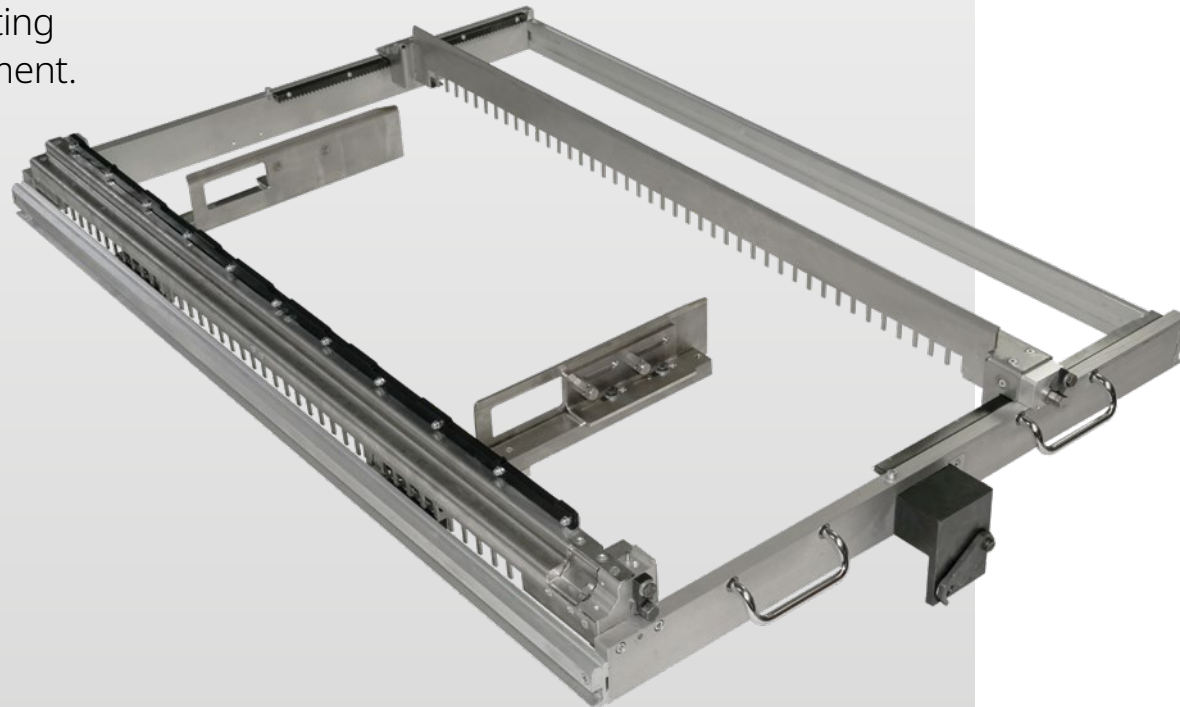
A Quick Lock system for sheet blanking operations that allows for the rapid changeover of cutting tools and fast sheet size adjustment.

Short set-up

- No-screw operation for easy setup
- Single-person installation and configuration
- Fast, efficient and adjustable delivery

Seamless production

- Short changeover times from regular blanking to sheet blanking
- Gripper opening module creates a straight stack so next process can commence immediately
- Rapid changeover of cutting tools possible with no-screw Sheet Blanker



QUICK LOCK SYSTEMS

- > Why tooling matters
- > Overview
- > Stripping Station
 - > Speed Lock
- > Blanking Station
 - > Blank Lock
 - > Sheet Blanker
 - > Blank Fix
- > Your BOBST machine
- > BOBST Die-Maker Certification Program
- > Summary

 Print responsibly

Data is not binding.
Non-contractual pictures.
The manufacturer reserves the right to make modifications without notice.
© BOBST SA 2020
BUSV-QLS-EN-0820

Blank **Fix**

Create bespoke blank separation and sheet blanking forms at the blanking station.

A flexible blank separation and sheet blanking toolkit, consisting of base plate, blanking blocks and multi pressers.

Full toolkit

Blank Fix system contains:

- Wooden plate in max sheet size with hole plate on top
- T-nut and centering device
- Three different Blank Fix block sizes
- Set of multi-pressers

Reliable

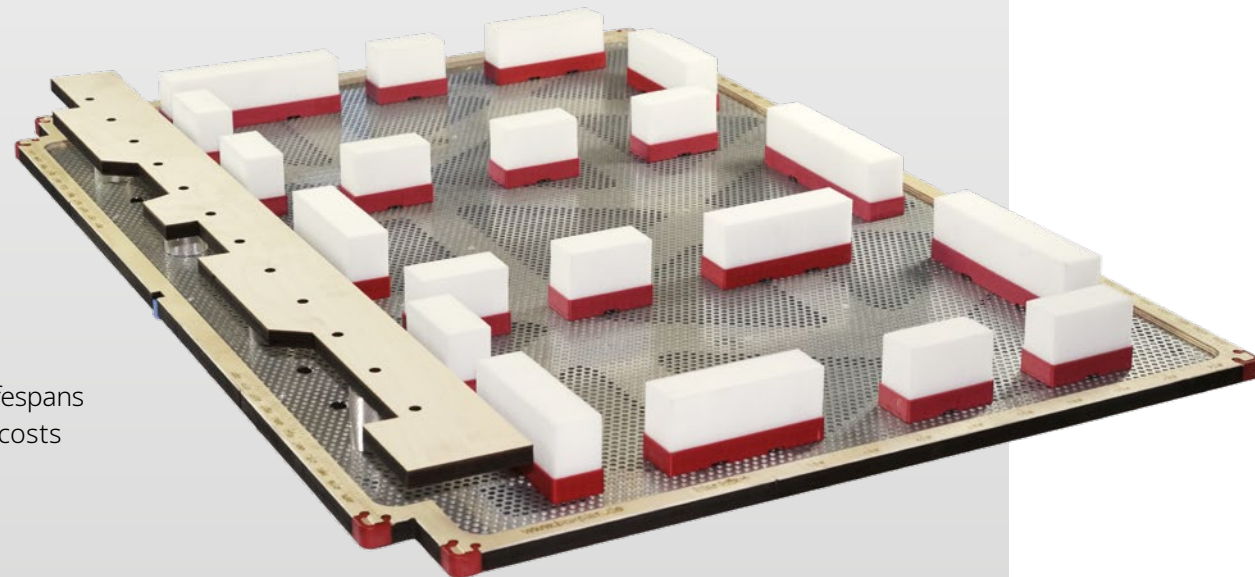
- Enables extended tooling equipment lifespans
- Highly durable to lower maintenance costs

Simple set-up

- Easily separate blocks and multi-pressers
- Create bespoke blanking forms, quickly
- Simple handling with magnetic, no-screw system
- Finished tool ready in minutes
- Front waste separator is optional, for separating of gripper waste during sheet blanking

Flexible

- Suitable for various sheet layouts
- Available for board sizes up to 1620mm
- Can be used as universal upper blanking form or for flexible sheet stacking



QUICK LOCK SYSTEMS

- > Why tooling matters
- > Overview
- > Stripping Station
 - > Speed Lock
- > Blanking Station
 - > Blank Lock
 - > Sheet Blanker
 - > Blank Fix
- > Your BOBST machine
- > BOBST Die-Maker Certification Program
- > Summary

 Print responsibly

Data is not binding.
Non-contractual pictures.
The manufacturer reserves the right to make modifications without notice.
© BOBST SA 2020
BUSV-QLS-EN-0820

A BOBST Machine Deserves BOBST Tooling

Check which Quick Lock systems are compatible with your BOBST machine.

Upgrade your tooling equipment to BOBST's industry-leading standards with Quick Lock. Find the converting equipment that works best with your machine and give yourself the competitive edge to help you meet the needs of your customers.

	Speed Lock 1	Speed Lock 2	Blank Lock	Sheet Blanker	Blank fix
SP 102-E/SE	•	•			
SP 102-CE/CE II/CER/CER II	•	•	•	•	
SP 103-E/ER	•	•	•	•	
SP 104-E/ER	•	•	•	•	
SP 130-E/ER	•	•	•	•	
SP 142-E/ER	•	•	•	•	
SP 142-CE/CER	•	•	•	•	
SP 1600-E/ER	•		•	•	
SP 162-CE/CER	•		•	•	
MASTERCUT 145		•			
EXPERTCUT 145		•			
BLANK FIX FORMAT 102					•
BLANK FIX FORMAT 103					•
BLANK FIX FORMAT 104					•
BLANK FIX FORMAT 106					•
BLANK FIX FORMAT 130					•
BLANK FIX FORMAT 142					•
BLANK FIX FORMAT 145					•
BLANK FIX FORMAT 162					•

QUICK LOCK SYSTEMS

- > Why tooling matters
- > Overview
- > Stripping Station
 - > Speed Lock
- > Blanking Station
 - > Blank Lock
 - > Sheet Blanker
 - > Blank Fix
- > Your BOBST machine
- > BOBST Die-Maker Certification Program
- > Summary

Print responsibly

Data is not binding.
Non-contractual pictures.
The manufacturer reserves the right to make modifications without notice.
© BOBST SA 2020
BUSV-QLS-EN-0820

Work with confidence

Choose a BOBST
Certified Die-Maker

[> LEARN MORE](#)

Advanced certification for professional die-makers

At BOBST, we want you to have complete confidence in the die-makers you work with. That's why we've established an advanced certification programme that sets the industry standard for die-making. We only accept professionals with the expertise, attitude and equipment to produce the very best. So you know that anyone with BOBST accreditation has been through a rigorous testing process, assessing overall skills and quality, as well as attitudes to innovation, automation and digitalization.

Why choose a Certified Die-Maker

BOBST Tooling Specialists provide continued support to certified die-makers, ensuring they commission dies to the highest industry standards. Every certified member also has access to community skill-sharing platforms, for ongoing skills development and quality benchmarking, and to promote the latest thinking and innovation from around our industry.

With a BOBST Certified Die-Maker, the difference is confidence. Find your nearest approved die-maker and be certain of the highest quality, every time.



CERTIFIED
DIE-MAKER

 **BOBST**

QUICK LOCK SYSTEMS

- > Why tooling matters
- > Overview
- > Stripping Station
 - > Speed Lock
- > Blanking Station
 - > Blank Lock
 - > Sheet Blanker
 - > Blank Fix
- > Your BOBST machine
- > BOBST Die-Maker Certification Program
- > Summary

 Print responsibly

Data is not binding.
Non-contractual pictures.
The manufacturer reserves
the right to make
modifications without notice.
© BOBST SA 2020
BUSV-QLS-EN-0820

Securing Success

When time is precious, increase productivity at the cutting, stripping and blanking stations with accurate and safe no-screw Quick Lock systems.

[> LEARN MORE](#)



Quick Lock offers fast, accurate and safe no-screw locking systems for cutting, stripping and blanking operations.

BOBST Quick Lock is an instant upgrade on traditional, manual processes – bringing you the ability to adjust, secure and change over tooling within a single frame. It's a faster, more efficient, and more accurate system.

If you want to reduce downtime and drive productivity, speak to your BOBST Representative about integrating Quick Lock into your converting operations.

QUICK LOCK SYSTEMS

- > Why tooling matters
- > Overview
- > Stripping Station
 - > Speed Lock
- > Blanking Station
 - > Blank Lock
 - > Sheet Blanker
 - > Blank Fix
- > Your BOBST machine
- > BOBST Die-Maker Certification Program
- > Summary

 Print responsibly

Data is not binding.
Non-contractual pictures.
The manufacturer reserves the right to make modifications without notice.
© BOBST SA 2020
BUSV-QLS-EN-0820